

# ARM STAYS



## ARM STAYS

For bottom hung casement

For top hung casement

Opening limiters



**MARCO INOX, PIOVRA, PIOVRADUE and PIOVRATRE, damping-effect opening limiters. All in stainless steel, they provide a solution for all necessary applications.**

### **TOP HUNG CASEMENT**

MARCO INOX is the releasable arm stay that permits the closing of the leaf also starting from intermediate opening positions.

Two arm stays carrying capacity : 70 Kg.

### **BOTTOM HUNG CASEMENT**

Different versions of arm stays for installing on jamb or transom, carrying capacity of 70 kg.

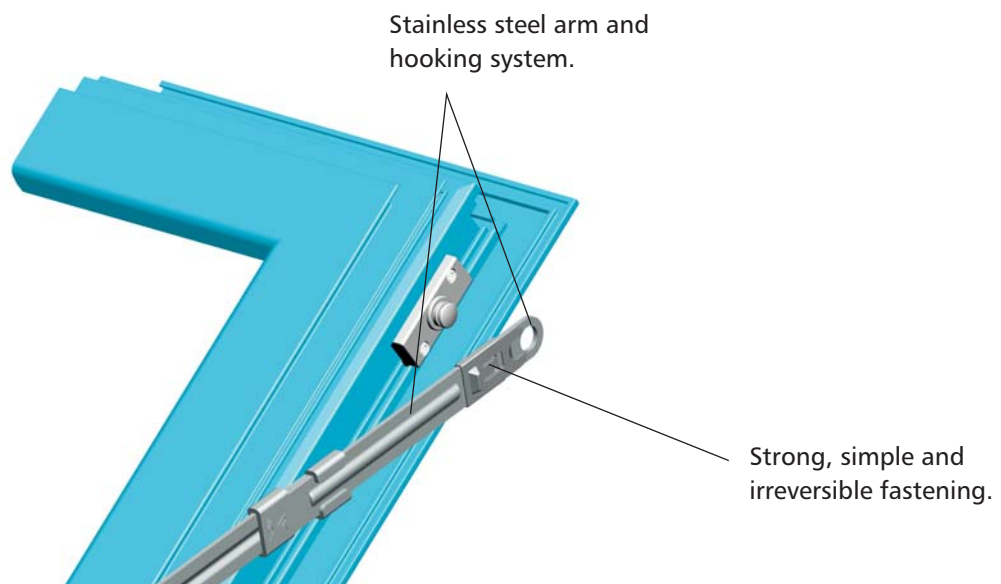
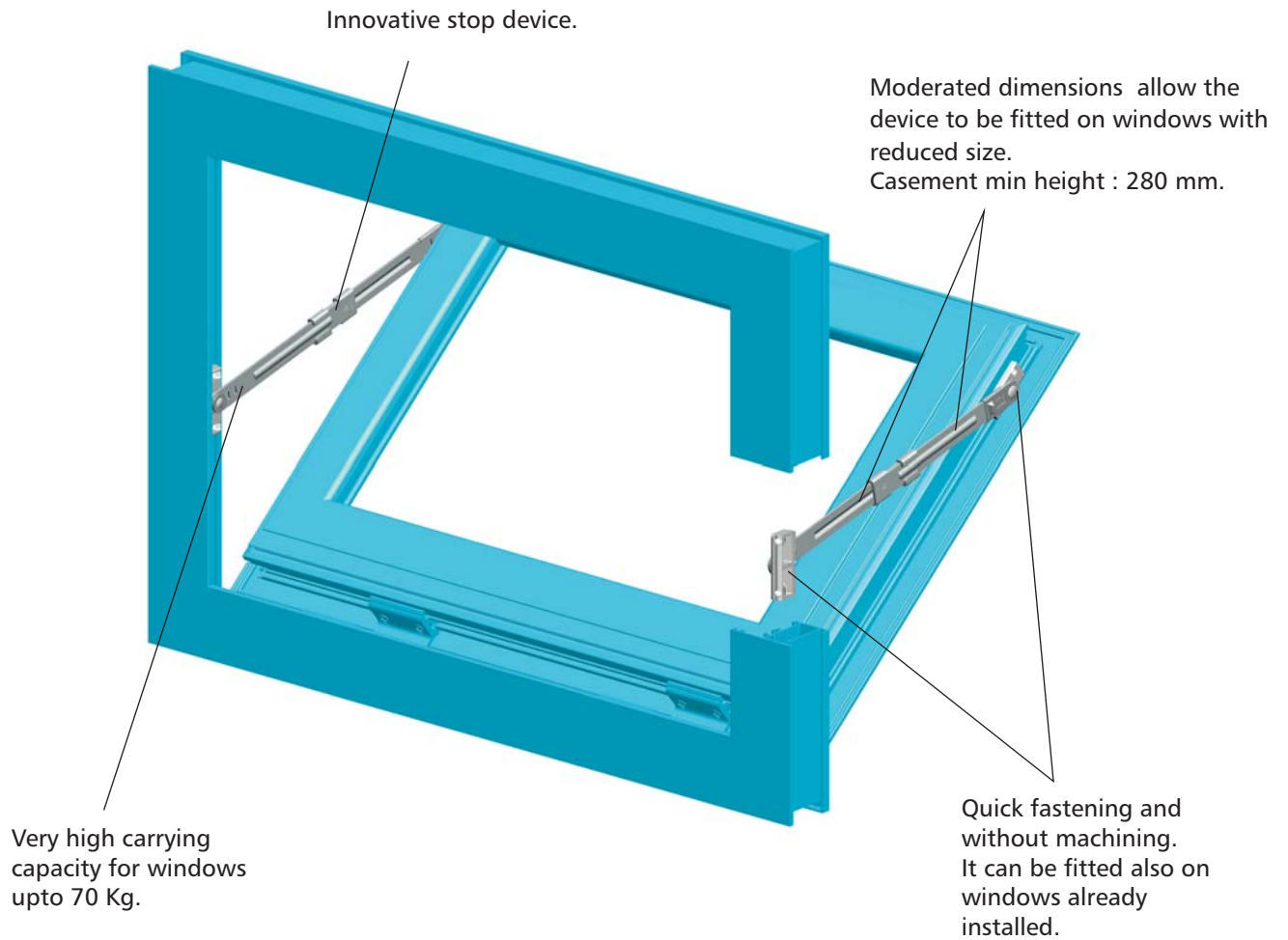
All releasable and fixable without machining.

### **SIDE HUNG CASEMENT**

Two versions, with damping-effect or with a simple stop, both of them releasable with an easy operation.

ARM STAYS

## PIOVRATRE : new releasable arm stay for bottom hung casement



Arm stays for bottom hung casement

ARM STAYS



| Art.   | Description   | Pz. |
|--------|---|-----|
| 1341   | (patented) <b>PIOVRATRE</b> Releasable arm stay in stainless steel 304, zamak counterplates, 4 preassembled grub screws M5x6 in galvanized steel. For Euro groove/NC International profiles and for grooves 10x14,3-12x15-14x18-12,5x16,5-13,5x16,5.<br><br><i>Carrying capacity: 2 arms 70 Kg.</i> | 20  |
| 1341.2 | (patented) <b>PIOVRATRE</b> Like 1341 but for profiles R40/New Tec and for grooves 15x18.<br><br><b>NEW!</b>  | 20  |



| Art.   | Description  | Pz. |
|--------|--|-----|
| 1342.3 | (patented) <b>PIOVRA</b> Releasable arm stay in stainless steel 304, counterplates in black galvanized zamak, 2 cap screws Ø 4.8x13 in stainless steel 304, 2 nylon spacers, 2 preassembled grub screws M5x6 in galvanized steel.<br><br><i>Carrying capacity: 2 arms 70 Kg.</i> | 20  |




| Art.   | Description  | Pz. |
|--------|--|-----|
| 1344   | (patented) <b>PIOVRADUE</b> Releasable arm stay in stainless steel 304, counterplates in black galvanized zamak, 2 grub screws M5x6 and 2 preassembled grub screws M5x10, in stainless steel.<br><br><i>Carrying capacity: 2 arms 70 Kg.</i> | 20  |
| 1344.1 |  | 20  |
| 1344.4 |  | 20  |
| 1344.2 | (patented) <b>PIOVRADUE</b> Releasable arm stay in stainless steel 304, counterplates in black galvanized zamak, 4 preassembled grub screws M5x6, in galvanized steel.<br><br><i>Carrying capacity: 2 arms 70 Kg.</i>                        | 20  |
| 1344.3 |  | 20  |





| Art. | Description  | Pz. |
|------|--|-----|
| 1345 | Releasable arm stay for bottom hung casement in stainless steel 304, galvanized zamak base, 2 stainless steel 303 grub screws, 1 grub screw M5x6 and 2 grub screws M5x10 in stainless steel, 1 nylon sliding guide, 1 nylon stopping block.<br>Fit for profiles with clearance mm 21 30.<br><br><b>Application field:</b><br>Upper side horizontal assembly<br>Leaf minimum height: 400 mm<br>Maximum width: until 1200 mm with 1 arm, up to 1200 mm with 2 arms.<br>Bottom hung casement maximum opening: 200 mm.<br>Groove of the leaf: 20 or 23 mm.<br><br><i>Carrying capacity: 1 arm 50 Kg, 2 arms 70 Kg.</i> | 20  |

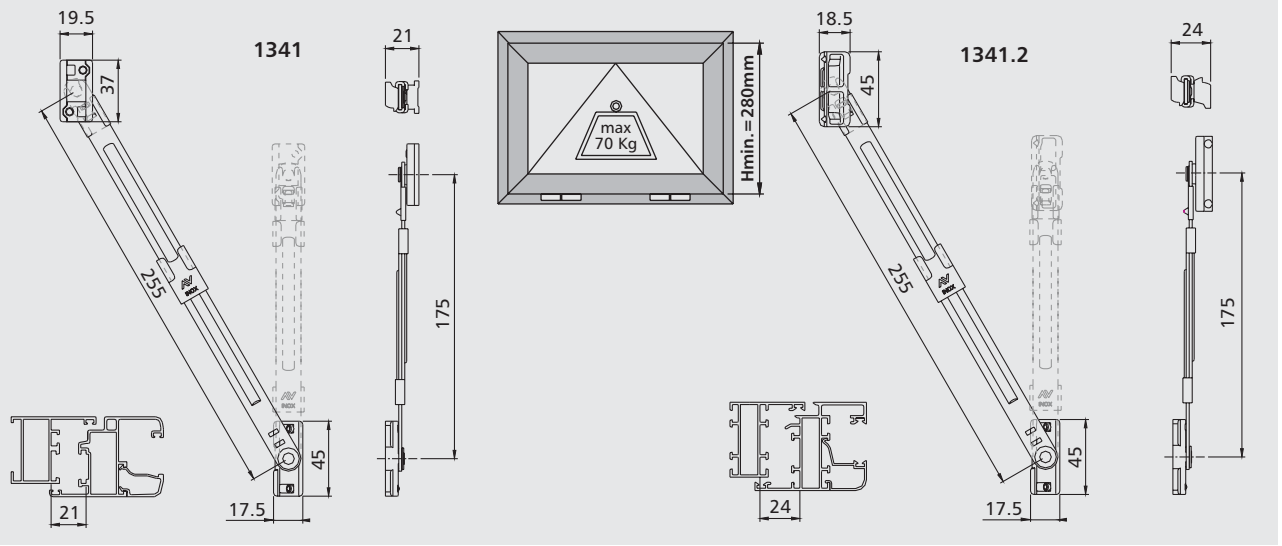
### Arms for top hung casement

|   | Art.   | Description   | Pz. |
|---|--------|---|-----|
|  | 1307   | <b>MARCO INOX</b> Stainless steel 430 adjustable arm for top hung casement, 2 hinge pivots (5,5 mm) and 1 nylon spacer (4 mm), 4 c'sk hd. screws Ø 4,8x25 in stainless steel 304. Fit for profiles with clearance 13 ÷ 18 mm.<br><br><i>Carrying capacity: 2 arms 70 Kg.</i>                  | 20  |
|   | 1307.1 | <b>MARCO INOX</b> Adjustable arm for top hung casement opening out in stainless steel 430 , 2 hinge pivots (9 mm) and 2 nylon spacer (4 mm), 4 c'sk hd. screws Ø 4,8x25 in stainless steel 304.<br>Fit for profiles with clearance 21 ÷ 30 mm.<br><br><i>Carrying capacity: 2 arms 70 Kg.</i> | 20  |

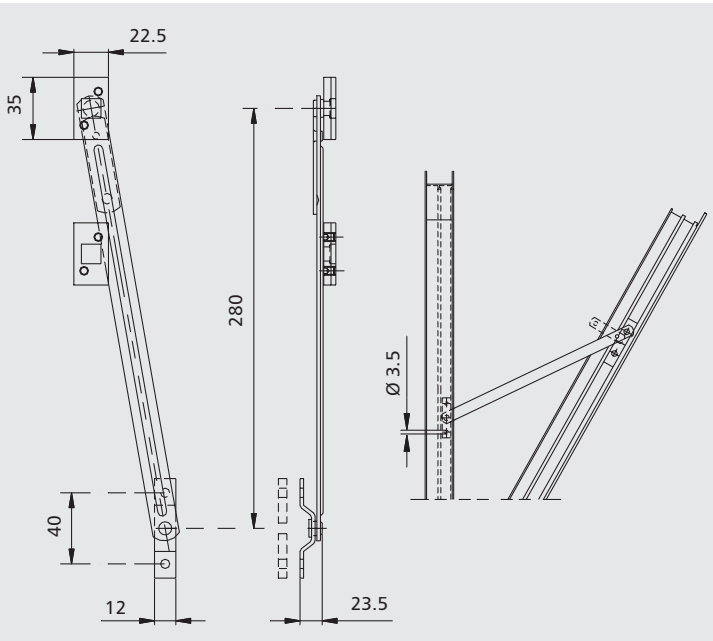
### Opening limiter arm stays

|   | Art.   | Description  | Pz. |
|---|--------|--|-----|
|   | 1343   | Damping-effect opening limiter arm stay in zamak, nylon, polyurethane and stainless steel 304, 2 preassembled grub screws M5x10 and 2 grub screws M5x12 in stainless steel 304.<br><b>Available until running out of stock</b> | 10  |
|   | 1343.1 | Damping-effect opening limiter arm stay in zamak, nylon, polyurethane and stainless steel 304, 2 preassembled grub screws M5x10 and 2 grub screws M5x12 in stainless steel 304.  | 10  |
|  | 1343.2 | Damping-effect opening limiter arm stay in zamak, nylon, polyurethane and stainless steel 304, 2 preassembled grub screws M5x8 and 2 grub screws M5x12 in stainless steel 304.   | 10  |
|   | 1343.3 | Damping-effect opening limiter arm stay in zamak, nylon, polyurethane and stainless steel 304, 2 preassembled grub screws M5x6 and 2 grub screws M5x8 in galvanized steel 304.   | 10  |

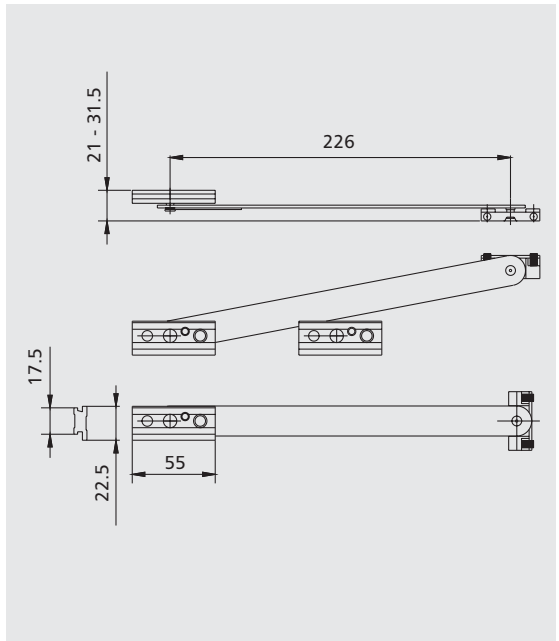
Art. 1341 - 1341.2 - New arms for bottom hung casements



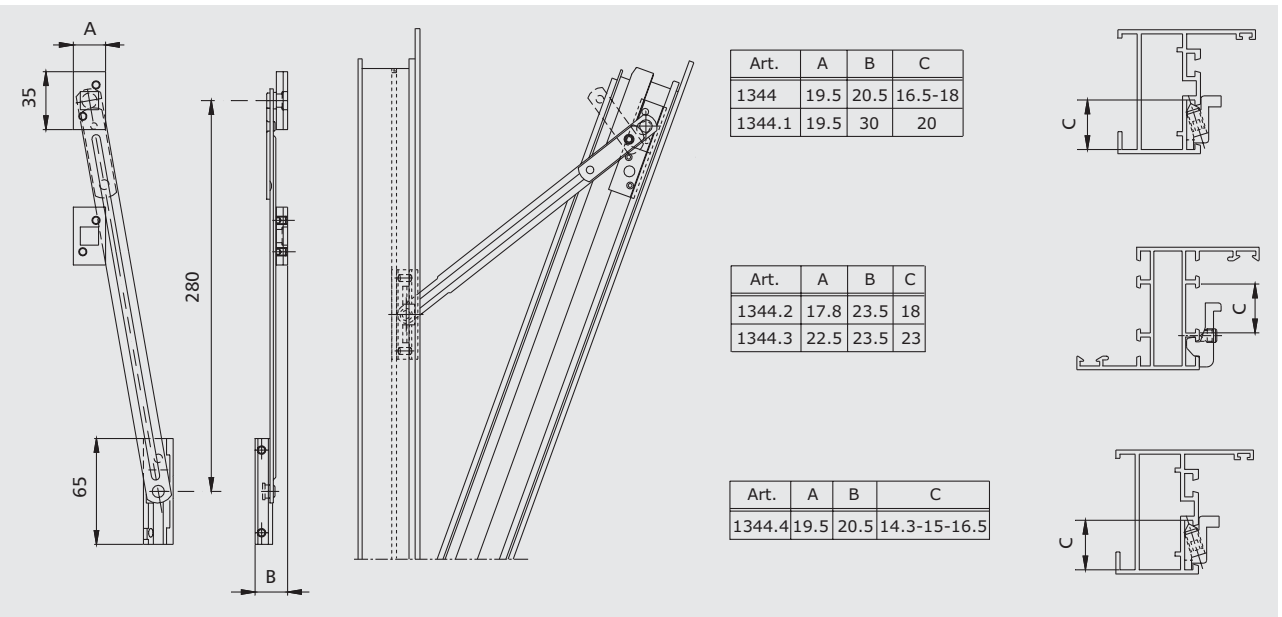
Art. 1342.3 - Arm for bottom hung casements



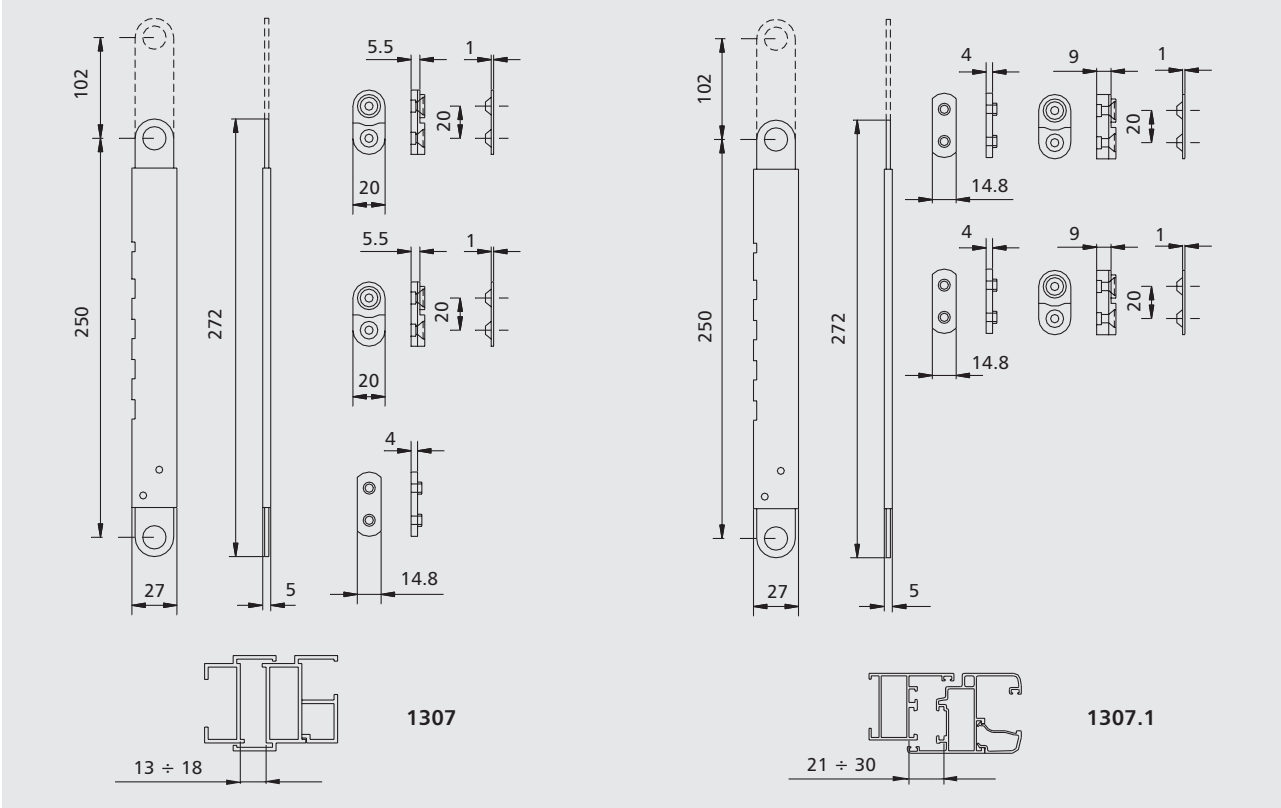
Art. 1345 - Arm for bottom hung casements



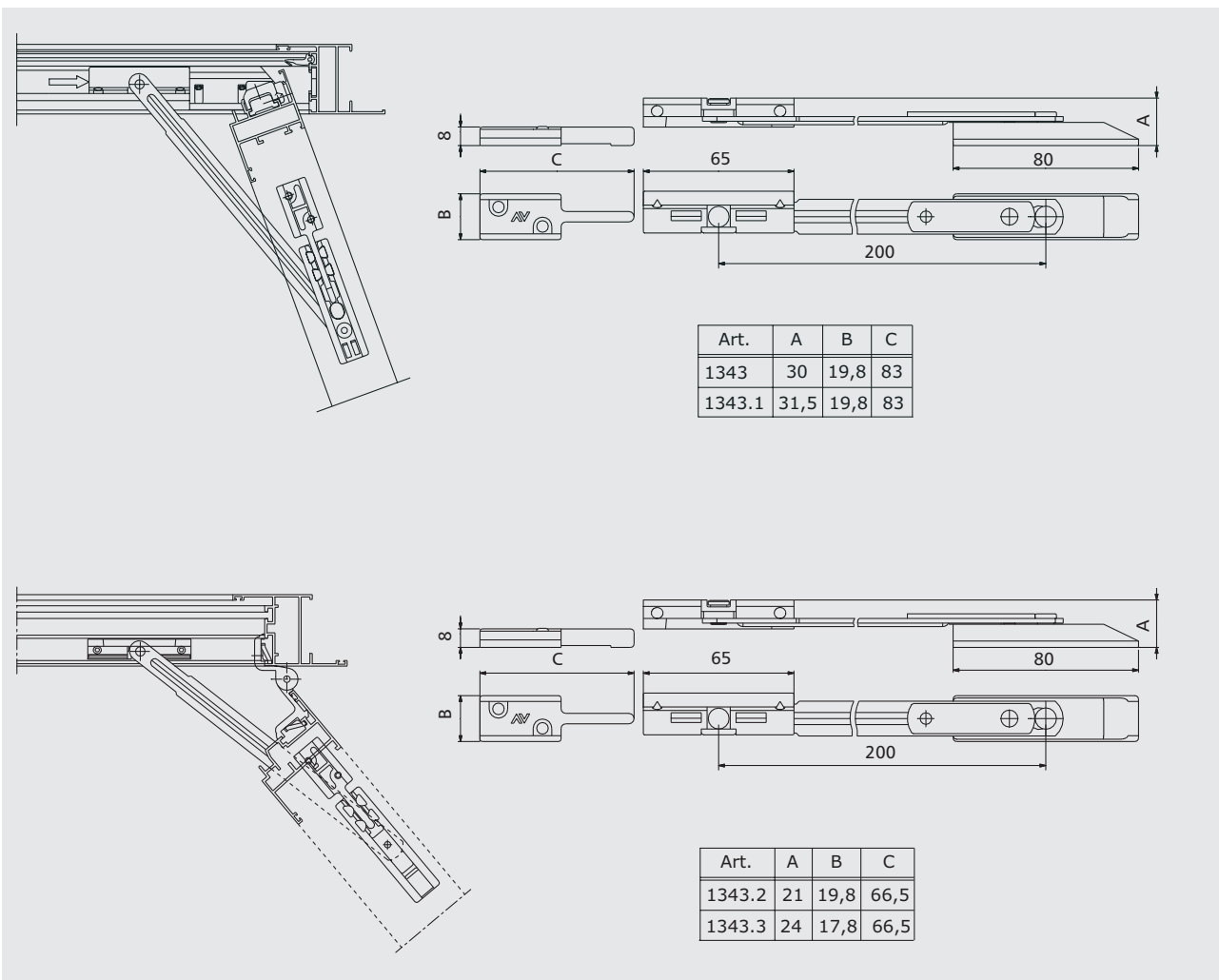
Art. 1344, 1344.1, 1344.2, 1344.3, 1344.4 - Arms for bottom hung casement



**Art. 1307, 1307.1 - Arms for top hung casement**



**Art. 1343, 1343.1, 1343.2, 1343.3 - Opening limiter arms**



## Suitability table for italian profiles

| Extruder            | Profile                | For bottom hung casements |        |        |      |        |        |        |        |      | For top hung casements |        | Opening limiter arms |        |        |        |
|---------------------|------------------------|---------------------------|--------|--------|------|--------|--------|--------|--------|------|------------------------|--------|----------------------|--------|--------|--------|
|                     |                        | 1341                      | 1341.2 | 1342.3 | 1344 | 1344.1 | 1344.2 | 1344.3 | 1344.4 | 1345 | 1307                   | 1307.1 | 1343                 | 1343.1 | 1343.2 | 1343.3 |
| AL SYSTEM           | GLOBAL 41              |                           |        |        |      |        |        |        |        |      |                        | •      |                      |        |        |        |
|                     | GLOBAL 48              |                           |        |        |      |        |        |        |        |      |                        | •      |                      |        |        |        |
| ALCAN               | CRISTAL Porte          | •                         |        |        | •    |        |        |        | •      | •    |                        |        |                      |        | •      |        |
|                     | EURO KEEPER 46/53      | •                         |        |        | •    |        |        |        | •      | •    |                        |        |                      |        | •      |        |
|                     | GREEN 45 sorm.         | •                         |        |        | •    |        |        |        | •      | •    |                        |        |                      |        | •      |        |
|                     | GREEN 45/52 SP.        | •                         |        |        | •    |        |        |        | •      | •    |                        |        |                      |        | •      |        |
|                     | GREEN ragg.            | •                         |        |        | •    |        |        |        | •      | •    |                        |        |                      |        | •      |        |
|                     | KEEPER 53/60           | •                         |        |        | •    |        |        |        | •      | •    |                        |        |                      |        | •      |        |
|                     | KEEPER 53/60 ragg.     | •                         |        |        | •    |        |        |        | •      | •    |                        |        |                      |        | •      |        |
|                     | KEEPER 61/68           | •                         |        |        | •    |        |        |        | •      | •    |                        |        |                      |        | •      |        |
|                     | POINT ragg.            |                           |        |        |      |        |        |        |        | •    | •                      |        |                      |        |        |        |
|                     | POINT sorm.            |                           |        |        |      |        |        |        |        | •    | •                      |        |                      |        |        |        |
| ALCOA               | R 40                   |                           | •      |        |      |        |        | •      |        | •    |                        |        |                      |        |        | •      |
|                     | R 40 ragg.             |                           | •      |        |      |        |        | •      |        | •    |                        |        |                      |        |        | •      |
|                     | R 50                   |                           |        | •      |      |        |        |        | •      | •    |                        |        |                      |        |        |        |
|                     | R 50 TT                |                           |        | •      |      |        |        |        | •      | •    |                        |        |                      |        |        |        |
|                     | R 50 TT barra cont.    |                           | •      |        |      |        |        | •      |        | •    |                        |        |                      |        |        | •      |
|                     | R 50 TT Revamping      |                           |        | •      |      |        |        |        | •      | •    |                        |        |                      |        |        |        |
|                     | R 60 TT                |                           |        | •      |      |        |        |        | •      | •    |                        |        |                      |        |        |        |
| ALEXIA              | ESEDRA GA 53           | •                         |        |        | •    |        |        |        | •      | •    |                        |        |                      |        | •      |        |
|                     | ESEDRA GA 53 ragg.     | •                         |        |        | •    |        |        |        | •      | •    |                        |        |                      |        | •      |        |
|                     | ESEDRA LIGHT 42/50     | •                         |        |        | •    |        |        |        | •      | •    |                        |        |                      |        | •      |        |
|                     | ESEDRA TT 63           | •                         |        |        | •    |        |        |        | •      | •    |                        |        |                      |        | •      |        |
|                     | ESEDRA TT 75           | •                         |        |        | •    |        |        |        | •      | •    |                        |        |                      |        | •      |        |
| ALL.CO              | ALL.CO 5 compl.        |                           |        |        |      | •      |        |        |        | •    |                        | •      |                      |        |        |        |
|                     | ALL.CO 5 sorm.         |                           |        |        |      |        |        |        |        | •    |                        | •      |                      |        |        |        |
|                     | ALL.CO 5 TT compl.     |                           |        |        |      | •      |        |        |        | •    |                        | •      |                      |        |        |        |
|                     | ALL.CO 5 TT sorm.      |                           |        |        |      |        |        |        |        | •    |                        | •      |                      |        |        |        |
|                     | ALL.CO P 4 compl.      |                           |        |        |      | •      |        |        |        | •    |                        | •      |                      |        |        |        |
|                     | ALL.CO P 4 sorm.       |                           |        |        |      |        |        |        |        | •    |                        | •      |                      |        |        |        |
|                     | ALL.CO P 4 sorm. Ragg. |                           |        |        |      |        |        |        |        | •    |                        | •      |                      |        |        |        |
|                     | EXPORT 40              | •                         |        |        | •    |        |        |        |        | •    | •                      |        |                      |        | •      |        |
|                     | EXPORT 45              | •                         |        |        | •    |        |        |        |        | •    | •                      |        |                      |        | •      |        |
|                     | EXPORT 45 Raggiato     | •                         |        |        | •    |        |        |        |        | •    | •                      |        |                      |        | •      |        |
|                     | EXPORT 45 TT           | •                         |        |        | •    |        |        |        |        | •    | •                      |        |                      |        | •      |        |
|                     | EXPORT 45 TT Ragg.     | •                         |        |        | •    |        |        |        |        | •    | •                      |        |                      |        | •      |        |
|                     | EXPORT 50              | •                         |        |        | •    |        |        |        |        | •    | •                      |        |                      |        | •      |        |
|                     | EXPORT 50 TT           | •                         |        |        | •    |        |        |        |        | •    | •                      |        |                      |        | •      |        |
|                     | K 40                   | •                         |        |        | •    |        |        |        |        | •    | •                      |        |                      |        | •      |        |
|                     | K 40 Ragg.             | •                         |        |        | •    |        |        |        |        | •    | •                      |        |                      |        | •      |        |
|                     | K 45T                  | •                         |        |        | •    |        |        |        |        | •    | •                      |        |                      |        | •      |        |
|                     | K 64T                  | •                         |        |        | •    |        |        |        |        | •    | •                      |        |                      |        | •      |        |
|                     | K 70T                  | •                         |        |        | •    |        |        |        |        | •    | •                      |        |                      |        | •      |        |
|                     | NEW AGE                |                           |        |        |      |        |        |        |        |      | •                      |        |                      |        |        |        |
| SICURBLIND 65 sorm. | •                      |                           |        | •      |      |        |        |        | •      | •    |                        |        |                      | •      |        |        |
| ALU-K               | ALU-K 45 CO            |                           |        |        |      |        |        |        |        | •    |                        |        |                      |        |        |        |
|                     | ALU-K 53 N             |                           |        |        |      |        |        |        |        | •    |                        |        |                      |        |        |        |
|                     | ALU-K 53 TT            |                           |        |        |      |        |        |        |        | •    |                        |        |                      |        |        |        |
|                     | ALU-K 70 TT            |                           |        |        |      |        |        |        |        | •    |                        |        |                      |        |        |        |
| ALUMEC              | DS 45                  | •                         |        |        | •    |        |        |        |        | •    | •                      |        |                      |        | •      |        |
|                     | SYNTESIS 45            | •                         |        |        | •    |        |        |        |        | •    | •                      |        |                      |        | •      |        |
|                     | SYNTESIS 57            | •                         |        |        | •    |        |        |        |        | •    | •                      |        |                      |        | •      |        |
|                     | SYNTESIS 60TT          | •                         |        |        | •    |        |        |        |        | •    | •                      |        |                      |        | •      |        |
| ASTE INTERNE        | FB 12                  |                           |        |        |      |        |        |        |        | •    |                        |        |                      |        |        |        |
|                     | GR 9                   |                           |        |        |      |        |        |        |        | •    |                        |        |                      |        |        |        |



| Extruder         | Profile             | For bottom hung casements |        |        |      |        |        |        |        |      | For top hung casements |        | Opening limiter arms |        |        |        |
|------------------|---------------------|---------------------------|--------|--------|------|--------|--------|--------|--------|------|------------------------|--------|----------------------|--------|--------|--------|
|                  |                     | 1341                      | 1341.2 | 1342.3 | 1344 | 1344.1 | 1344.2 | 1344.3 | 1344.4 | 1345 | 1307                   | 1307.1 | 1343                 | 1343.1 | 1343.2 | 1343.3 |
| ASTE INTERNE     | NC 40               |                           |        |        |      |        |        |        |        |      | •                      |        |                      |        |        |        |
|                  | NC 50               |                           |        |        |      |        |        |        |        |      | •                      |        |                      |        |        |        |
| BODEGA           | BGA 50              | •                         |        |        | •    |        |        |        |        | •    | •                      |        |                      | •      |        |        |
|                  | BGA 50 Arrotondato  | •                         |        |        | •    |        |        |        |        | •    | •                      |        |                      | •      |        |        |
|                  | BGA 50 Ragg.        | •                         |        |        | •    |        |        |        |        | •    | •                      |        |                      | •      |        |        |
|                  | BT 60 TT            | •                         |        |        | •    |        |        |        |        | •    | •                      |        |                      | •      |        |        |
| CLL              | TECNO 50            |                           | •      |        |      |        | •      |        |        | •    |                        |        |                      |        | •      |        |
| DEMAL            | PRESTIGE 48         |                           |        |        |      |        |        |        |        |      | •                      |        |                      |        |        |        |
| EQUIPE           | SERIE 8000          | •                         |        |        | •    |        |        |        |        | •    | •                      |        |                      | •      |        |        |
|                  | SERIE 8000 Ragg.    | •                         |        |        | •    |        |        |        |        | •    | •                      |        |                      | •      |        |        |
|                  | SERIE 8000 TT       | •                         |        |        | •    |        |        |        |        | •    | •                      |        |                      | •      |        |        |
|                  | SERIE 8000 TT Ragg. | •                         |        |        | •    |        |        |        |        | •    | •                      |        |                      | •      |        |        |
| FINAL            | EXPORT 45           | •                         |        |        | •    |        |        |        |        | •    | •                      |        |                      | •      |        |        |
|                  | EXPORT 45 Raggiato  | •                         |        |        | •    |        |        |        |        | •    | •                      |        |                      | •      |        |        |
|                  | EXPORT 45 T         | •                         |        |        | •    |        |        |        |        | •    | •                      |        |                      | •      |        |        |
|                  | EXPORT 45 T Ragg.   | •                         |        |        | •    |        |        |        |        | •    | •                      |        |                      | •      |        |        |
|                  | EXPORT 50           | •                         |        |        | •    |        |        |        |        | •    | •                      |        |                      | •      |        |        |
|                  | EXPORT 50 T         | •                         |        |        | •    |        |        |        |        | •    | •                      |        |                      | •      |        |        |
| HYDRO            | BREAK PA 52         | •                         |        |        | •    |        |        |        |        | •    | •                      |        |                      | •      |        |        |
|                  | BREAK PA 52 Ragg.   | •                         |        |        | •    |        |        |        |        | •    | •                      |        |                      | •      |        |        |
|                  | BREAK PA 62         | •                         |        |        | •    |        |        |        |        | •    | •                      |        |                      | •      |        |        |
|                  | BREAK PA 63         | •                         |        |        | •    |        |        |        |        | •    | •                      |        |                      | •      |        |        |
|                  | BREAK PA 70         | •                         |        |        | •    |        |        |        |        | •    | •                      |        |                      | •      |        |        |
|                  | BREAK PA 70 S       | •                         |        |        | •    |        |        |        |        | •    | •                      |        |                      | •      |        |        |
|                  | DOMAL 40            |                           |        |        |      |        |        |        |        | •    |                        |        |                      |        |        |        |
|                  | DOMAL 40 ragg.      |                           |        |        |      |        |        |        |        | •    |                        |        |                      |        |        |        |
|                  | DOMAL TWIN          | •                         |        |        | •    |        |        |        |        | •    | •                      |        |                      | •      |        |        |
|                  | STOPPER (31.5 C.I.) |                           |        |        |      | •      |        |        |        |      |                        |        | •                    |        |        |        |
|                  | STOPPER PG          | •                         |        |        | •    |        |        |        |        | •    | •                      |        |                      | •      |        |        |
|                  | STOPPER PG ragg.    | •                         |        |        | •    |        |        |        |        | •    | •                      |        |                      | •      |        |        |
| STOPPER PG STYLE | •                   |                           |        | •      |      |        |        |        | •      | •    |                        |        | •                    |        |        |        |
| IND.INVEST       | ALPHA 255           |                           |        |        |      |        |        |        |        |      | •                      |        |                      |        |        |        |
|                  | ALPHA 445           |                           |        |        |      | •      |        |        |        |      | •                      |        |                      |        |        |        |
|                  | ALPHA 658 TT        |                           |        |        |      | •      |        |        |        |      | •                      |        |                      |        |        |        |
|                  | ALPHA GLOBO 45      |                           |        |        |      | •      |        |        |        |      | •                      |        |                      |        |        |        |
|                  | GOLD 400            | •                         |        |        | •    |        |        |        |        | •    | •                      |        |                      | •      |        |        |
|                  | GOLD 400 ragg.      | •                         |        |        | •    |        |        |        |        | •    | •                      |        |                      | •      |        |        |
|                  | GOLD 450            | •                         |        |        | •    |        |        |        |        | •    | •                      |        |                      | •      |        |        |
|                  | GOLD 490            | •                         |        |        | •    |        |        |        |        | •    | •                      |        |                      | •      |        |        |
|                  | GOLD 500            | •                         |        |        | •    |        |        |        |        | •    | •                      |        |                      | •      |        |        |
|                  | GOLD 500 ragg.      | •                         |        |        | •    |        |        |        |        | •    | •                      |        |                      | •      |        |        |
|                  | GOLD 600            | •                         |        |        | •    |        |        |        |        | •    | •                      |        |                      | •      |        |        |
| METRA            | N. NC 40 compl.     |                           |        |        |      | •      |        |        |        |      |                        | •      |                      |        |        |        |
|                  | N. NC 40 sorm.      |                           |        |        |      |        |        |        |        |      | •                      |        |                      |        |        |        |
|                  | N. NC 50 sorm.      |                           |        |        |      |        |        |        |        |      | •                      |        |                      |        |        |        |
|                  | NC 45 INT.          | •                         |        |        | •    |        |        |        |        | •    | •                      |        |                      | •      |        |        |
|                  | NC 45 INT.ragg.     | •                         |        |        | •    |        |        |        |        | •    | •                      |        |                      | •      |        |        |
|                  | NC 45 STH           | •                         |        |        | •    |        |        |        |        | •    | •                      |        |                      | •      |        |        |
|                  | NC 50 I             | •                         |        |        | •    |        |        |        |        | •    | •                      |        |                      | •      |        |        |
|                  | NC 55 INT.          | •                         |        |        | •    |        |        |        |        | •    | •                      |        |                      | •      |        |        |
|                  | NC 55 TH            | •                         |        |        | •    |        |        |        |        | •    | •                      |        |                      | •      |        |        |
|                  | NC 58 MEDITERRANEO  | •                         |        |        | •    |        |        |        |        | •    | •                      |        |                      | •      |        |        |
|                  | NC 65 STH           | •                         |        |        | •    |        |        |        |        | •    | •                      |        |                      | •      |        |        |
|                  | NC 68 STH           | •                         |        |        | •    |        |        |        |        | •    | •                      |        |                      | •      |        |        |
|                  | NC 72 STH           | •                         |        |        | •    |        |        |        |        | •    | •                      |        |                      | •      |        |        |

## Suitability table for italian profiles

| Extruder    | Profile                       | For bottom hung casements |        |        |      |        |        |        |        |      | For top hung casements |        | Opening limiter arms |        |        |        |
|-------------|-------------------------------|---------------------------|--------|--------|------|--------|--------|--------|--------|------|------------------------|--------|----------------------|--------|--------|--------|
|             |                               | 1341                      | 1341.2 | 1342.3 | 1344 | 1344.1 | 1344.2 | 1344.3 | 1344.4 | 1345 | 1307                   | 1307.1 | 1343                 | 1343.1 | 1343.2 | 1343.3 |
| MEXALL      | MX 50                         | •                         |        |        | •    |        |        |        |        |      |                        |        |                      |        |        |        |
|             | MX 70                         | •                         |        |        |      |        |        |        |        |      |                        |        |                      |        |        |        |
| MORELLI     | MA 2000 TT                    | •                         |        |        | •    |        |        |        |        |      | •                      |        |                      |        |        |        |
|             | MA 2000 TT ragg.              | •                         |        |        | •    |        |        |        |        |      |                        |        |                      |        |        |        |
|             | MA 9600                       |                           |        |        |      |        |        |        |        |      | •                      |        |                      |        |        |        |
|             | MA 9800                       |                           |        |        |      |        |        |        |        |      | •                      |        |                      |        |        |        |
| OCMA        | FC 55 Montecarlo compl.       |                           |        |        |      |        |        |        |        |      | •                      |        |                      |        |        |        |
|             | FC 55 Restauro                |                           |        |        |      |        |        |        |        |      | •                      |        |                      |        |        |        |
|             | SV 39                         | •                         |        |        | •    |        |        |        |        |      | •                      |        |                      |        | •      |        |
|             | SV 39/47 ragg.                | •                         |        |        | •    |        |        |        |        |      | •                      |        |                      |        | •      |        |
|             | SV 47/55                      | •                         |        |        | •    |        |        |        |        |      | •                      |        |                      |        | •      |        |
|             | SV TT55                       | •                         |        |        | •    |        |        |        |        |      | •                      |        |                      |        | •      |        |
|             | SV TT70                       | •                         |        |        | •    |        |        |        |        |      | •                      |        |                      |        | •      |        |
|             | SV TT74                       | •                         |        |        | •    |        |        |        |        |      | •                      |        |                      |        | •      |        |
| PASSERINI   | EKIP 40 compl.                |                           |        |        |      | •      |        |        |        |      | •                      |        | •                    |        |        |        |
|             | EKIP 40 NUOVO compl.          |                           |        |        |      | •      |        |        |        |      | •                      |        |                      |        |        |        |
|             | EKIP 40 NUOVO sorm.           | •                         |        |        | •    |        |        |        |        |      |                        |        |                      |        |        |        |
|             | EKIP 40 sorm.                 | •                         |        |        | •    |        |        |        |        |      | •                      |        |                      |        |        |        |
|             | EKIP 50 compl.                |                           |        |        |      | •      |        |        |        |      | •                      |        | •                    |        |        |        |
|             | EKIP 50 sorm.                 | •                         |        |        | •    |        |        |        |        |      | •                      |        |                      |        |        |        |
|             | EKIP 54 TT                    |                           |        |        |      |        |        |        |        |      |                        |        |                      |        |        | •      |
|             | EKIP 60 TT                    |                           |        |        |      |        |        |        |        |      |                        |        |                      |        |        | •      |
|             | EKIP ev compl.                |                           |        |        |      | •      |        |        |        |      | •                      |        | •                    |        |        |        |
|             | EKIP ev sorm.                 | •                         |        |        | •    |        |        |        |        |      | •                      |        |                      |        |        |        |
|             | EKIP THERMO 53                |                           |        |        |      | •      |        |        |        |      | •                      |        | •                    |        |        |        |
|             | EKIP THERMO 58                |                           |        |        |      |        |        |        |        |      | •                      |        |                      |        |        |        |
|             | MAASTRICHT 53                 | •                         |        |        | •    |        |        |        |        |      | •                      |        |                      |        | •      |        |
|             | MAASTRICHT LIGHT              | •                         |        |        | •    |        |        |        |        |      | •                      |        |                      |        | •      |        |
|             | MAASTRICHT TH 60              | •                         |        |        | •    |        |        |        |        |      | •                      |        |                      |        | •      |        |
|             | MAASTRICHT TH 68              | •                         |        |        | •    |        |        |        |        |      | •                      |        |                      |        | •      |        |
| VENICE TH16 | •                             |                           |        | •      |      |        |        |        |        | •    |                        |        |                      | •      |        |        |
| PONZIO SUD  | NEW TEC 50                    |                           | •      |        |      |        |        | •      |        |      | •                      |        |                      |        |        | •      |
|             | NEW TEC 52                    |                           | •      |        |      |        |        | •      |        |      | •                      |        |                      |        |        | •      |
|             | NEW TEC 60                    |                           | •      |        |      |        |        | •      |        |      | •                      |        |                      |        |        | •      |
|             | NEW TEC 68 ST                 |                           | •      |        |      |        |        | •      |        |      | •                      |        |                      |        |        | •      |
|             | WINDSTOP 45 by PONZIO         | •                         |        |        | •    |        |        |        |        |      | •                      |        |                      |        | •      |        |
|             | WINDSTOP 45 by PONZIO ragg.   | •                         |        |        | •    |        |        |        |        |      | •                      |        |                      |        | •      |        |
|             | WINDSTOP 45 TT by PONZIO      | •                         |        |        | •    |        |        |        |        |      | •                      |        |                      |        | •      |        |
|             | WINDSTOP 45 TT by PONZIO ragg | •                         |        |        | •    |        |        |        |        |      | •                      |        |                      |        | •      |        |
| PROFILATI   | EKU 40                        | •                         |        |        | •    |        |        |        |        |      | •                      |        |                      |        | •      |        |
|             | EKU 53                        | •                         |        |        | •    |        |        |        |        |      | •                      |        |                      |        | •      |        |
|             | EKU 53 ragg.                  | •                         |        |        | •    |        |        |        |        |      | •                      |        |                      |        | •      |        |
|             | EKU 53 TT                     | •                         |        |        | •    |        |        |        |        |      | •                      |        |                      |        | •      |        |
|             | EKU 64 TT                     | •                         |        |        | •    |        |        |        |        |      | •                      |        |                      |        | •      |        |
|             | EKU 72 TT                     | •                         |        |        | •    |        |        |        |        |      | •                      |        |                      |        | •      |        |
|             | EKU COMPACT                   | •                         |        |        | •    |        |        |        |        |      | •                      |        |                      |        | •      |        |
|             | PE 40                         |                           |        |        |      |        |        |        |        |      | •                      |        |                      |        |        |        |
|             | PE 50                         |                           |        |        |      |        |        |        |        |      | •                      |        |                      |        |        |        |
| SCHÜCO      | ROYAL S 50 N sorm.            |                           |        |        |      |        |        |        |        |      | •                      |        |                      |        |        |        |
|             | ROYAL S 65 sorm.              |                           |        |        |      |        |        |        |        |      | •                      |        |                      |        |        |        |

Savio Spa reserves the right to modify the technical specifications of products featured in this catalogue at any moment and without warning.

**Enter the world of SAVIO :**

**www.savio.it**

*Look for the quality of SAVIO arm stays for bottom hung casement and top hung casement, opening limiters and the full range of SAVIO products on the group's site.*

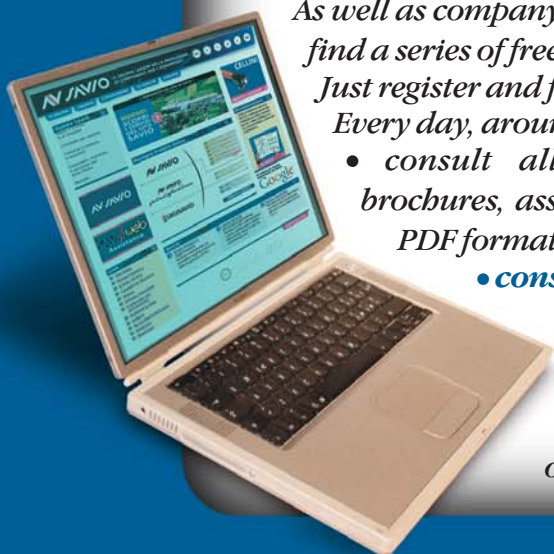
*Discover the advantages offered by a company portal, constantly evolving to offer market operators new services.*

*As well as company information and the product news, you will find a series of free services aimed at the professional sector.*

*Just register and fill in the provided form on line.*

*Every day, around the clock, you will be able to :*

- *consult all technical documentation (catalogues, brochures, assembly instructions, etc.) and download it in PDF format;*
- **consult new SAVIO videocatalogue 2004;**
- *use the "Savio Web Assistance" service;*
- *be constantly updated on all new developments on the site via e-mail;*
- *be the first to know about promotional offers.*



*It's easy to stay up-to-date with  
www.savio.it, all it takes is a click!*



- DIN EN ISO 14001
- Certified Management System
- EN ISO 9001

Savio S.p.A. Via Torino, 25 (S.S. 25)  
10050 Chiusa S. Michele (TO) Italy  
Tel.+39.011.964.34.64 - Fax+39.011.964.34.74  
www.savio.it - e-mail: export@savio.it

**NSAVIO**  
*Quality and Innovation  
for closing systems*